

Siren/Strobe Alert System

High intensity LEDs with clearly visible red strobe
 Adjustable sound and light options
 105dB Siren



DESCRIPTION

A combination of siren and strobe that can be connected to any number of existing toxic gas (TG) or CO2 sensors to create one centralized alarm system. The singular, highly visible and audible alert simplifies systems and effectively notifies occupants of elevated gas levels.

APPLICATIONS

- Provides users with effective visual and/or audible notification when TG or CO2 sensors detect high concentrations of gas.
- Centralized alarm can be used for entire building systems for rapid notification.



Safety Technology International

FEATURES

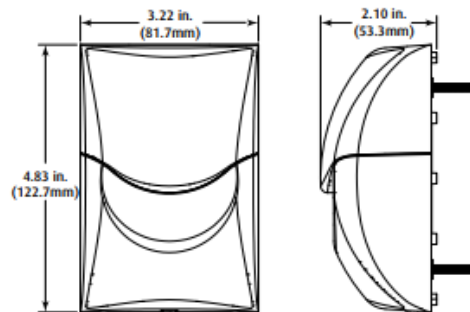
- Options to program for strobe and sound only or both
- Tamper-proof for optimal security
- 32 unique alarm tones
- Two volume settings
- Eight different flash patterns, including continuous and optional left to right flashing
- High-impact resistant polycarbonate withstands abuse

ORDERING



- SS-A** Siren/Strobe-Amber Beacon
- SS-B** Siren/Strobe-Blue Beacon
- SS-R** Siren/Strobe-Red Beacon

DIMENSIONS



Warning: The datasheet is designed for reference only. Refer to installation instructions that accompany the product and heed all safety instructions. Product improvement is a continuing process at Senva. Changes may occur to products without prior notice.

SPECIFICATIONS

SPECIFICATIONS

Operating Voltage	12-24VDC
Operating Current	0.42A@12VDC / 0.22A@24VDC
Relay Output	N.C. 12VDC, 50mA Dry Contact
Operating Temperature	-4°F to 140°F (-20°C to 60°C)
Volume @1 foot (29.4cm)	High 105dB / Low 85dB
Number of Flash Patterns	8
Number of Sound Tones	32
Strobe/Sound Only Control	Yes
Alarm Triqger	Triqger on Power
Projected IP Rating	IP54

** Product improvement is a continual process at Senva and product features and specification may change without prior notice. Refer to instructions that accompany the product for installation and wiring.*